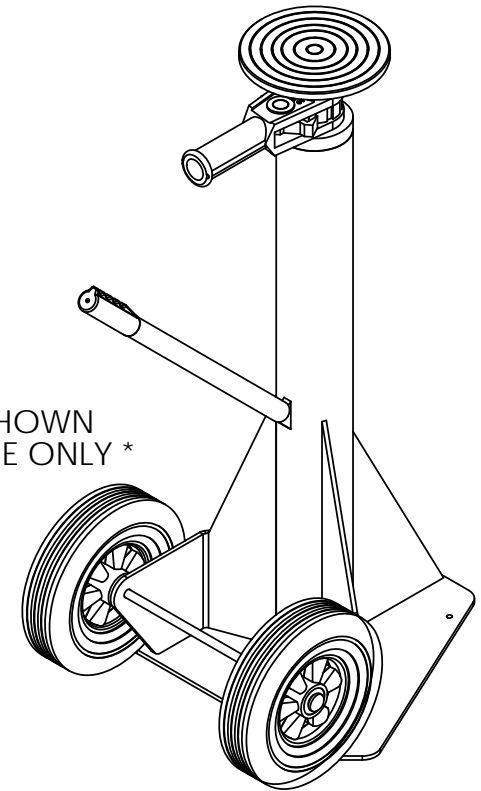
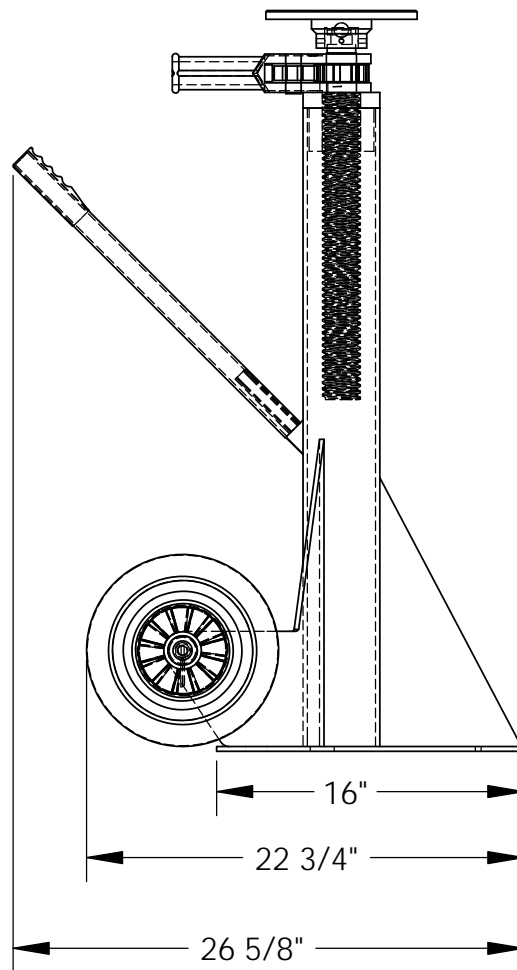
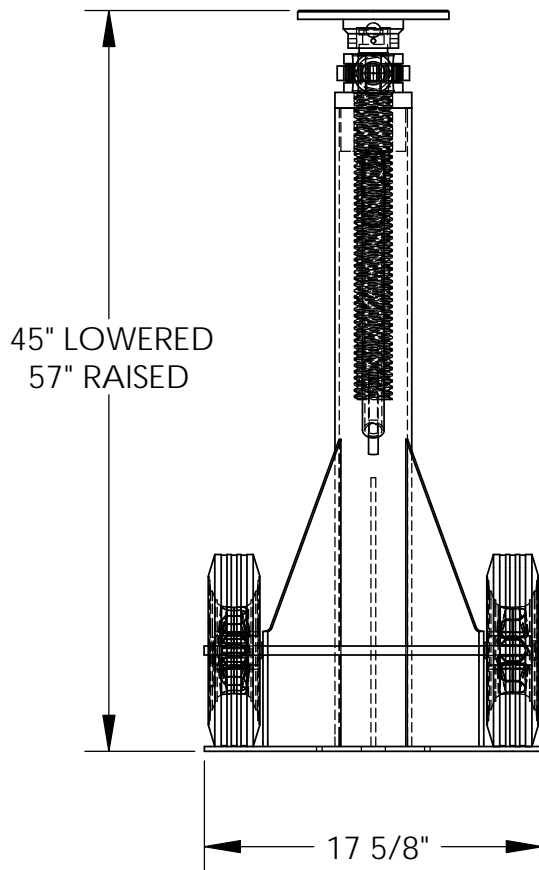


# RATCHET TRAILER STABILIZING JACK - HI-J

\*\*\* ANY ADDITIONS, DELETIONS, OR OMISSIONS MUST BE CORRECTED ON THIS DRAWING AS THIS DRAWING WILL BE CONSIDERED ALL INCLUSIVE \*\*\*

ALL GRAPHICS PROVIDED ARE FOR REFERENCE ONLY. IF CERTAIN DIMENSIONS ARE CRITICAL PLEASE VERIFY THOSE DIMENSIONS WITH YOUR SALESPERSON



\* 3D VIEW SHOWN FOR REFERENCE ONLY \*

## STANDARD FEATURES

MODEL NUMBER: HI-J  
 OVERALL WIDTH: 17 5/8"  
 OVERALL LENGTH: 26 5/8"  
 SERVICE RANGE: 45" TO 517"  
 STATIC CAPACITY: 100,000 POUNDS  
 LIFTING CAPACITY: 40,000 POUNDS  
 TOP CAP: 8" DIAMETER

## SPECIAL FEATURES

NONE

APPROX. WEIGHT: 110.37

ALL SPECIAL UNITS ARE NON-RETURNABLE

<b>A P P R O V A L</b>	I, the undersigned, hereby approve this print. This includes my approval of design & dimensions	
	<input type="checkbox"/> As drawn	<input type="checkbox"/> As marked
	Signed: _____ Date: _____	
LEAD TIME WILL START UPON RECEIPT OF SIGNED APPROVAL DRAWING		

DISTRIBUTOR'S NAME: <b>VESTIL MANUFACTURING</b>		P.O.# X
DRAWN BY: KY	DATE: 7/19/05	W.O.# X
REFERENCE: X	QUOTE # X	SALES: X
		FILE NAME: HI-J
SCALE: 1:10		