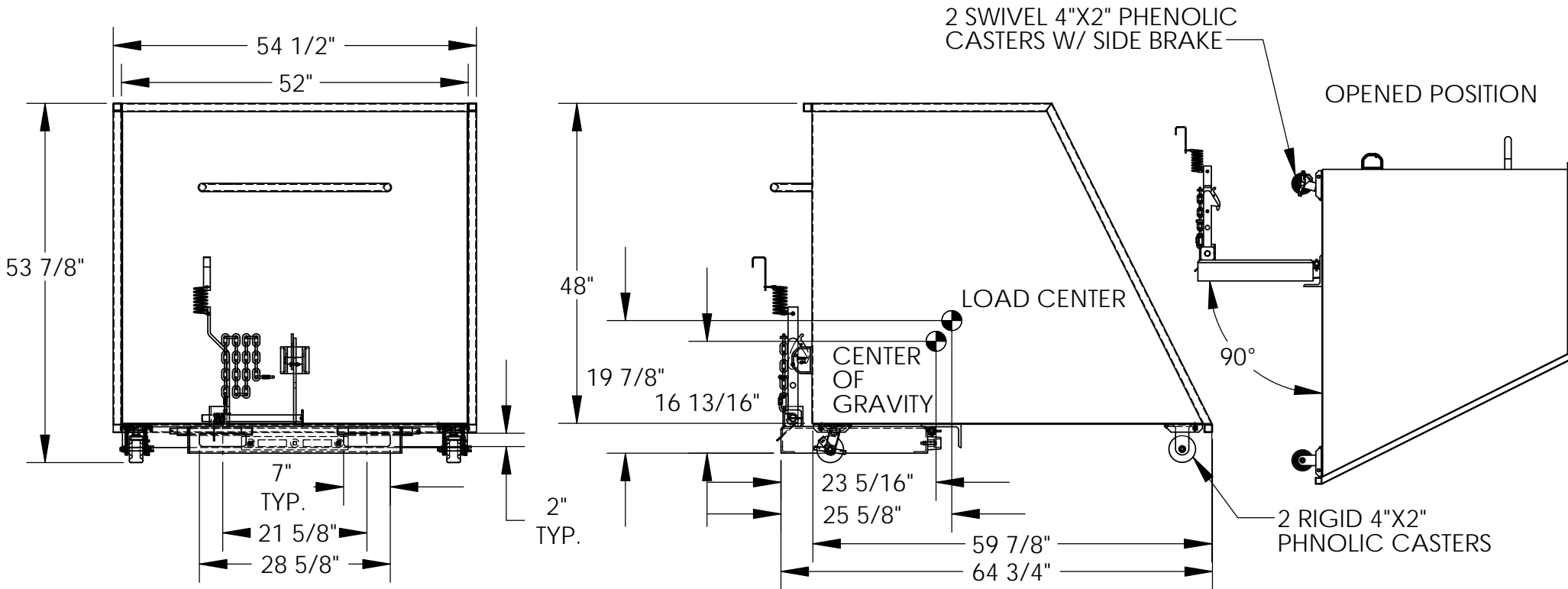


OPEN END STEEL DUMPING HOPPER - HOP-OE

APPROX WEIGHT: 605.44 lbs.
DOES NOT INCLUDE WEIGHT OF POWER OR PACKAGING!!!

*** ANY ADDITIONS, DELETIONS, OR OMISSIONS MUST BE CORRECTED ON THIS DRAWING AS THIS DRAWING WILL BE CONSIDERED ALL INCLUSIVE ***

ALL GRAPHICS PROVIDED ARE FOR REFERENCE ONLY. IF CERTAIN DIMENSIONS ARE CRITICAL PLEASE VERIFY THOSE DIMENSIONS WITH YOUR SALESPERSON



STANDARD FEATURES

- MODEL NUMBER: HOP-OE
- CAPACITY: 2000 LBS.
- OVERALL WIDTH: 54 1/2"
- OVERALL LENGTH: 64 3/4"
- OVERALL HEIGHT: 53 7/8"
- USABLE SIZE: W52" X L59 7/8" X H48"
- RELEASE CABLE LENGTH: 54"
- SAFTY CHAIN LENGTH: 56"
- 2- RIGID 4" X 2" PHENOLIC CASTERS IN FRONT
- 2- SWIVEL 4" X 2" PHENOLIC CASTERS W/ SIDE BRAKE

NEVER EXCEED LOAD CENTER RATING PER FORK TRUCK MANUFACTURER'S GUIDLINES.
DO NOT USE THIS FORK TRUCK ATTACHMENT IF LOAD WILL EXCEED FORK TRUCK MANUFACTURER'S LOAD CENTER RATING.

SPECIAL FEATURES

NONE

DIMENSION TOLERANCE ± 1/4"

APPROVAL

I, THE UNDERSIGNED, AGREE THAT THE PRODUCT AS REPRESENTED SATISFIES DESIGN AND DIMENSION REQUIREMENTS. I ALSO ACKNOWLEDGE MY DUTY TO CONFIRM PRODUCT AND INSTALLATION COMPLIANCE WITH ALL APPLICABLE FEDERAL, STATE AND LOCAL REGULATIONS AND STANDARDS.
ALL SPECIAL UNITS ARE NON-RETURNABLE
[] As drawn [] As marked

Signed: _____ Date: _____

LEAD TIME WILL START UPON RECEIPT OF SIGNED APPROVAL DRAWING

FOR INTERNAL USE ONLY PROJECT SIGN OFF	
SALES	
ENG.	
FAB.	
POWER	

DISTRIBUTOR'S NAME:		P.O.#
VESTIL MANUFACTURING		X
W.O.#		X
DRAWN BY:	DATE:	SALES:
W.STALEY	3/21/08	X
REFERENCE:	SCALE:	FILE NAME:
X	1:22	
QUOTED LEAD TIME:	QUOTE #	
X	X	37-007-033