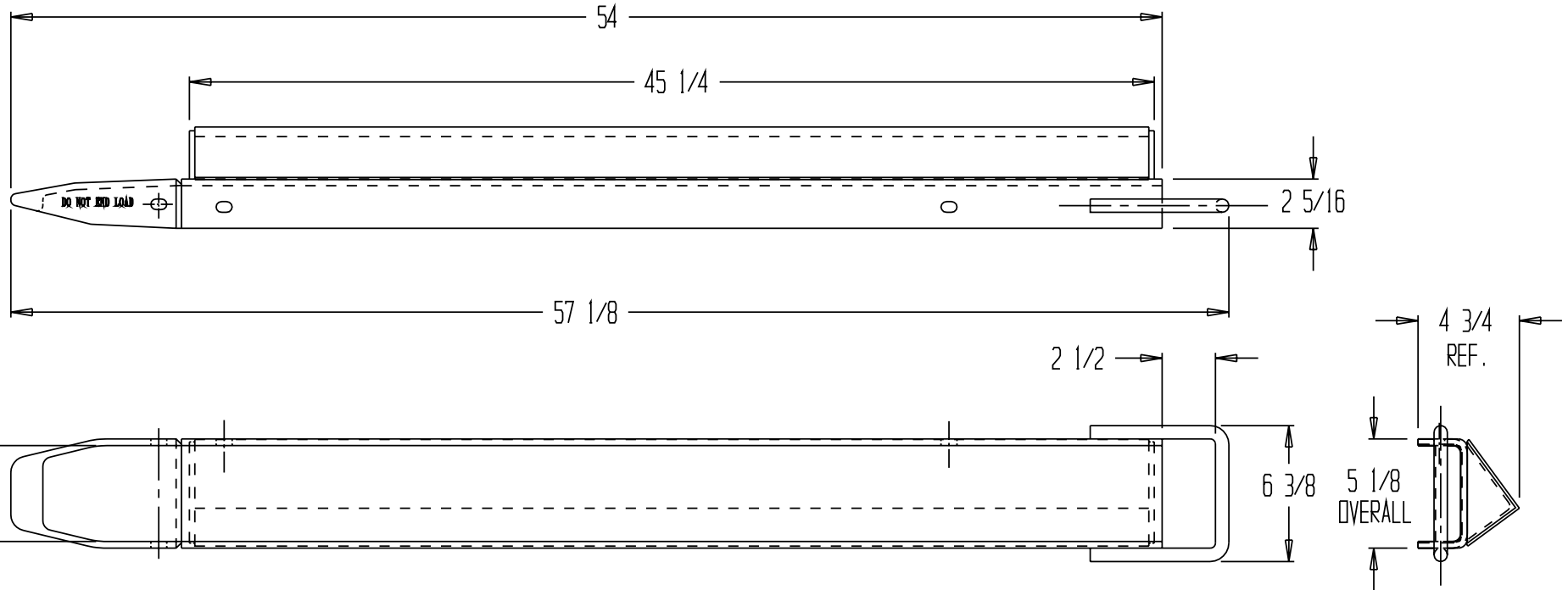
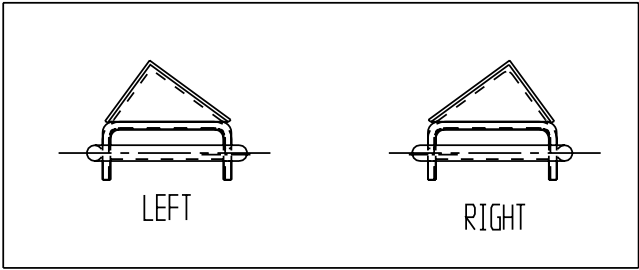


**SPECIAL UNITS ARE NON-RETURNABLE
 *AVAILABLE AT ADDITIONAL COSTS

TRIANGULAR FORK EXTENSIONS, FE-4-54-T



PRODUCTION WILL START UPON
 RECEIPT OF SIGNED APPROVAL
 DRAWING



STANDARD FEATURES

MODEL NUMBER: FE-4-54-T
 OVERALL LENGTH: 57 1/8"
 USABLE LENGTH: 54"
 OVERALL WIDTH: 5 1/8"
 USABLE WIDTH: 4 1/2"
 FITS 4" WIDE x 2" MAX.
 THICKNESS FORK
 SOLID STEEL CONSTRUCTION
 POWDER COATED FINISH

STANDARD FEATURES

NONE

Any additions, deletions or omissions must be corrected on this drawing, as this drawing will be considered all inclusive.

*** ALL GRAPHICS PROVIDED ARE FOR REFERENCE ONLY. IF CERTAIN DIMENSIONS ARE CRITICAL PLEASE VERIFY THOSE DIMENSIONS WITH YOUR SALESPERSON. ***

APPROVAL

I, the undersigned, hereby approve this print
 As drawn As marked
 This includes my approval of design & dimensions.
 Signed: _____
 Date: _____

DISTRIBUTOR'S NAME: VESTIL MFG.		P.O.#: _
DRAWN BY: SR		W.O.#: _
DATE: 2-21-06		SALES: _
REFERENCE: -	DRWG./FILE NAME: FE-4-54-T	scale: 1:8