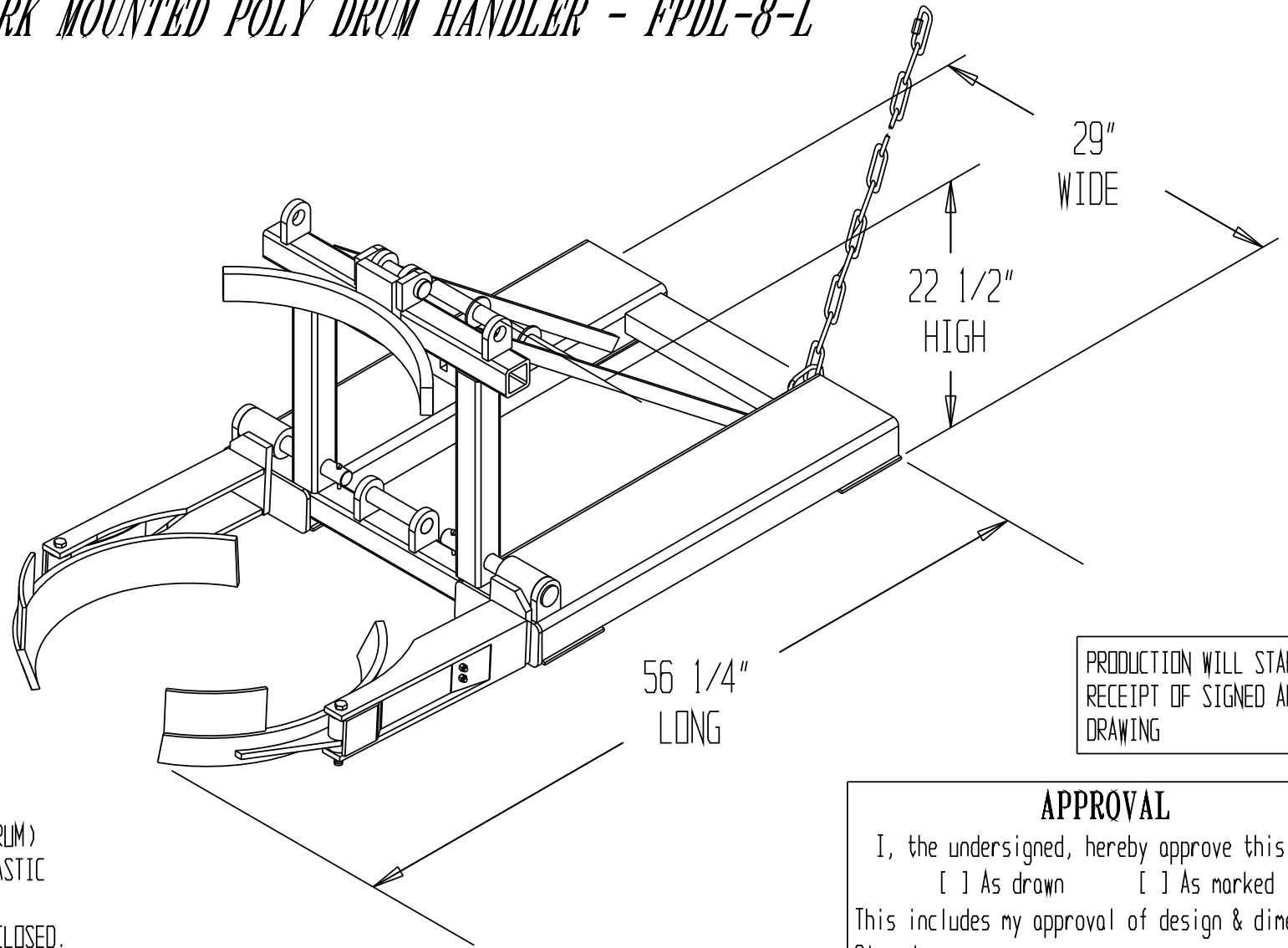


FORK MOUNTED POLY DRUM HANDLER - FPDL-8-L



STANDARD FEATURES

- MODEL NUMBER: FMDL-8-L
- CAPACITY: 800 LBS. (ONE DRUM)
- FOR USE WITH 55 GALLON PLASTIC DRUMS WITH ROUND BOTTOMS.
- DRUM HEAD CAN BE OPEN OR CLOSED.
- INCLUDES SAFETY CHAIN & T-LOCKS TO SECURE UNIT TO FORK TRUCK.
- WELDED STEEL CONSTRUCTION.
- POWDER COAT FINISH.
- USABLE FORK POCKETS ARE:
7 5/8" W x 2 9/16"H
ON 20 1/2" CENTERS.

**SPECIAL UNITS ARE NON-RETURNABLE
*AVAILABLE AT ADDITIONAL COSTS

PRODUCTION WILL START UPON
RECEIPT OF SIGNED APPROVAL
DRAWING

APPROVAL

I, the undersigned, hereby approve this print
 As drawn As marked
 This includes my approval of design & dimensions.
 Signed: _____
 Date: _____

DISTRIBUTOR'S NAME: T & S EQUIPMENT		P.O.#: -
DRAWN BY: B. WOOD		DATE: 10-29-02
REFERENCE: -		SALES: -
scale: 1:10		DRWG./FILE NAME: 40-007-008