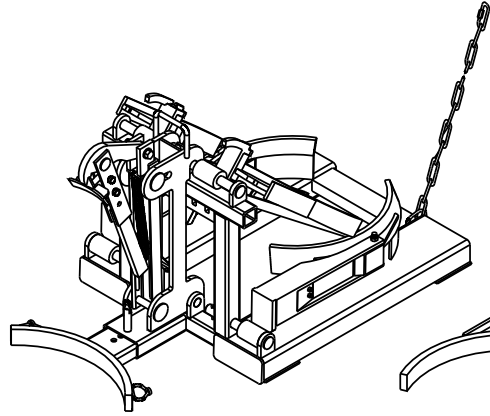
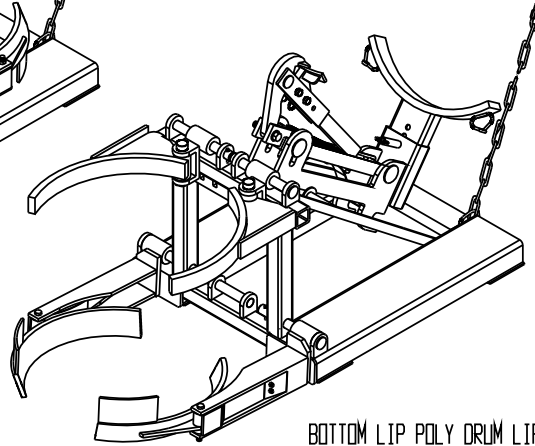


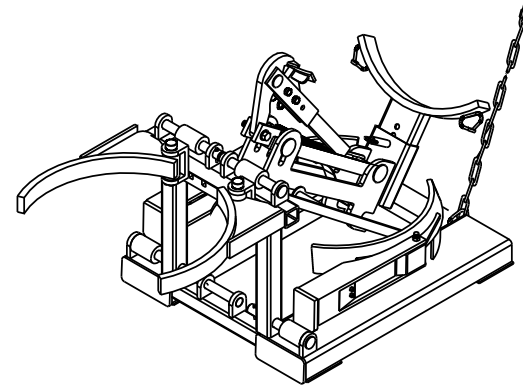
## *DELUXE COMBINATION FORK MOUNTED DRUM LIFTER - DFDL-3*



SINGLE EAGLE BEAK  
 - CAPACITY: 1,000 LBS.  
 - OVERALL DIMENSIONS:  
 28 3/4" H x 29" W x 46 3/8" L



BOTTOM LIP POLY DRUM LIFTER  
 - CAPACITY: 800 LBS.  
 - OVERALL DIMENSIONS:  
 30 1/8" H x 29" W x 56 7/16" L  
 EFFECTIVE THICKNESS = FORK LENGTH - 30"



TOP LIP POLY DRUM LIFTER  
 - CAPACITY: 1,100 LBS.  
 - OVERALL DIMENSIONS:  
 30 1/8" H x 29" W x 48 7/16" L

### ***STANDARD FEATURES***

- MODEL NUMBER: DFDL-3
- FOR USE WITH A 30 & 55 GALLON PLASTIC, STEEL & FIBER DRUM.
- DRUM MAY HAVE AN OPEN OR CLOSED HEAD; AND MUST HAVE A TOP LIP STRONG ENOUGH TO SUPPORT THE WEIGHT OF THE DRUM.
- INCLUDES SAFETY CHAIN & T-LOCKS TO SECURE UNIT TO FORK TRUCK.
- WELDED STEEL CONSTRUCTION.
- POWDER COAT FINISH.
- USABLE FORK POCKETS ARE:  
   7 1/2" W x 2 1/2" H,  
   ON 20 1/2" CENTERS.
- INCLUDES SAFETY RATCHETING STRAP TO SECURE DRUM TO UNIT.

\*\*SPECIAL UNITS ARE NON-RETURNABLE  
 \*AVAILABLE AT ADDITIONAL COSTS

PRODUCTION WILL START UPON  
 RECEIPT OF SIGNED APPROVAL  
 DRAWING

### **APPROVAL**

I, the undersigned, hereby approve this print  
 As drawn     As marked  
 This includes my approval of design & dimensions.  
 Signed: \_\_\_\_\_  
 Date: \_\_\_\_\_

DISTRIBUTOR'S NAME: <b>T &amp; S EQUIPMENT</b>		P.O.#: -
DRAWN BY: B. WOOD		DATE: 10-29-02
REFERENCE: -		SALES: -
scale: 1:16		DRWG./FILE NAME: 40-007-005