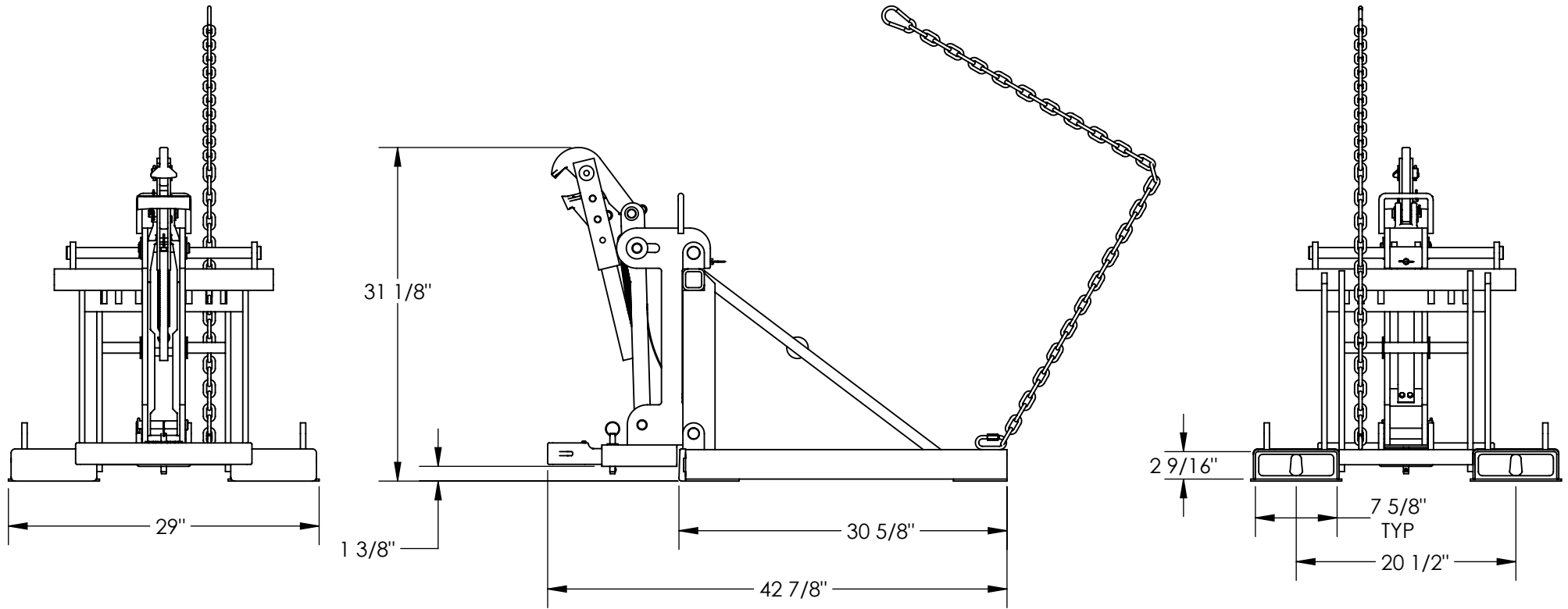


AUTOMATIC EAGLE BEAK DRUM LIFTER - FMDL-1

APPROX WEIGHT: 172.68 lbs.
DOES NOT INCLUDE WEIGHT OF POWER OR PACKAGING!!!

*** ANY ADDITIONS, DELETIONS, OR OMISSIONS MUST BE CORRECTED ON THIS DRAWING AS THIS DRAWING WILL BE CONSIDERED ALL INCLUSIVE ***

ALL GRAPHICS PROVIDED ARE FOR REFERENCE ONLY. IF CERTAIN DIMENSIONS ARE CRITICAL PLEASE VERIFY THOSE DIMENSIONS WITH YOUR SALESPERSON



STANDARD FEATURES

- MODEL NUMBER IS FMDL-1
- CAPACITY: 1,000 LBS (ONE DRUM)
- FOR USE WITH 30 & 55 GALLON PLASTIC, STEEL, & FIBER DRUMS
- DRUMS MUST HAVE A TOP LIP STRONG ENOUGH TO SUPPORT THE WEIGHT OF THE DRUM
- INCLUDES SAFETY CHAIN & SNAP HOOK TO SECURE UNIT TO FORK TRUCK
- WELDED STEEL CONSTRUCTION
- POWDER COAT FINISH
- USABLE FORK POCKETS ARE: 7 5/8" W x 2 9/16" H ON 20 1/2" CENTERS
- SAFETY RATCHETING STRAP TO SECURE DRUM TO UNIT

SPECIAL FEATURES

NONE

DIMENSION TOLERANCE ± 1/4"

APPROVAL

I, THE UNDERSIGNED, AGREE THAT THE PRODUCT AS REPRESENTED SATISFIES DESIGN AND DIMENSION REQUIREMENTS. I ALSO ACKNOWLEDGE MY DUTY TO CONFIRM PRODUCT AND INSTALLATION COMPLIANCE WITH ALL APPLICABLE FEDERAL, STATE AND LOCAL REGULATIONS AND STANDARDS.

ALL SPECIAL UNITS ARE NON-RETURNABLE

[] As drawn [] As marked

Signed: _____ Date: _____

LEAD TIME WILL START UPON RECEIPT OF SIGNED APPROVAL DRAWING

DISTRIBUTOR'S NAME:		P.O.#
VESTIL MANUFACTURING		X
DRAWN BY: WHR		DATE: 6/11/12
REFERENCE: X		SCALE: 1:14
QUOTED LEAD TIME: X		QUOTE # X
		SALES: X
		FILE NAME: 40-007-006